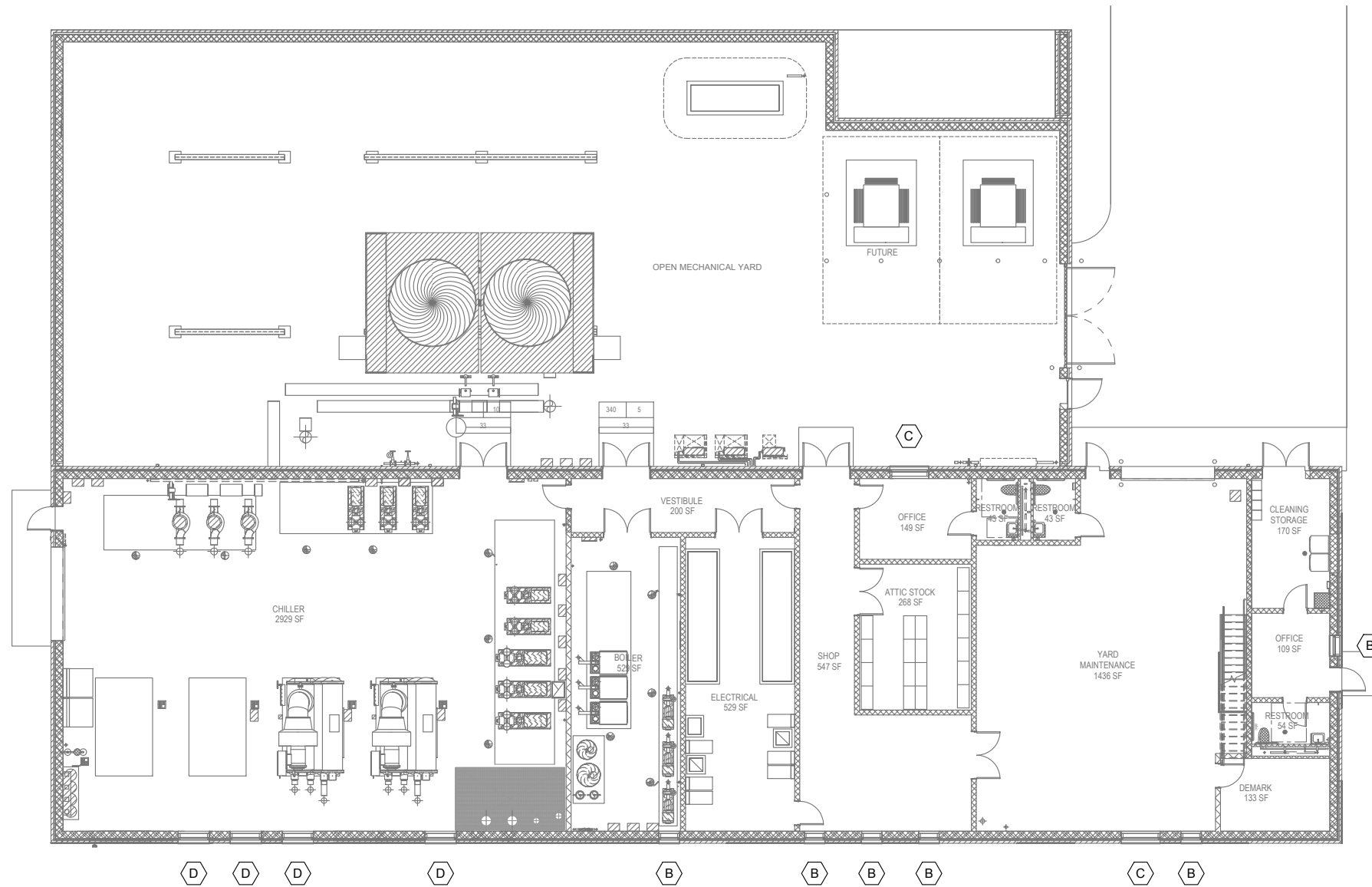


| NO. | DATE | DESCRIPTION |
|-----|------------|---|
| 2 | 03/11/2020 | REVISIONS TO ADD HORIZONTALS & NEW ELEVATION FOR CHILLER ROOM WINDOWS |
| 1 | 11/16/19 | First Submittal |

CONTRACTOR'S GLASS PRODUCTS
 7701 WEBER RD., CORPUS CHRISTI, TX 78315
 WORK (361) 854-8188 FAX (361) 854-4412

PROJECT: DEL MAR COLLEGE SOUTH, CENTRAL PLANT
NEW BUILDING
 ARCHITECT: GENSLER
 (713) 644-0060
 PROJECT: FUJITON CONSTRUCTION CORP.
 (361) 993-5200

| | |
|-------------|-------------|
| PROJECT NO. | CGP-1911-02 |
| DRAWN BY | fp |
| DATE | 03/11/2020 |
| SCALE | NTS |
| DRAWING | FLOOR PLANS |
| SHEET | P1 |



FLOOR PLAN

SCALE: NTS
 ARCH REF: A02.201
 QUANTITY: TYPE B - 6
 TYPE C - 2
 TYPE D - 4

01

LEVEL 1

GLASS WALL SYSTEM(S):
 KAWNEER 1600 IR SYSTEM 1 CURTAIN WALL SYSTEM

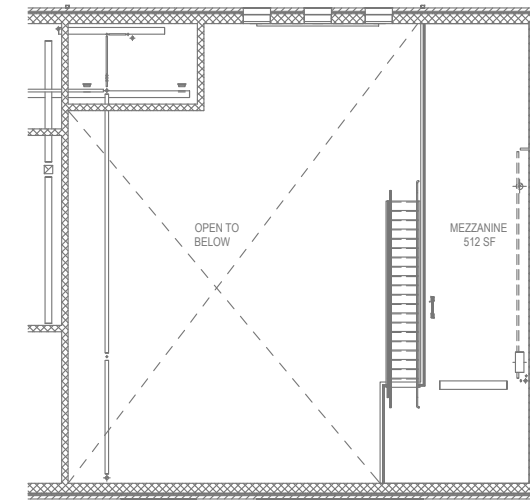
FLOOR PLAN

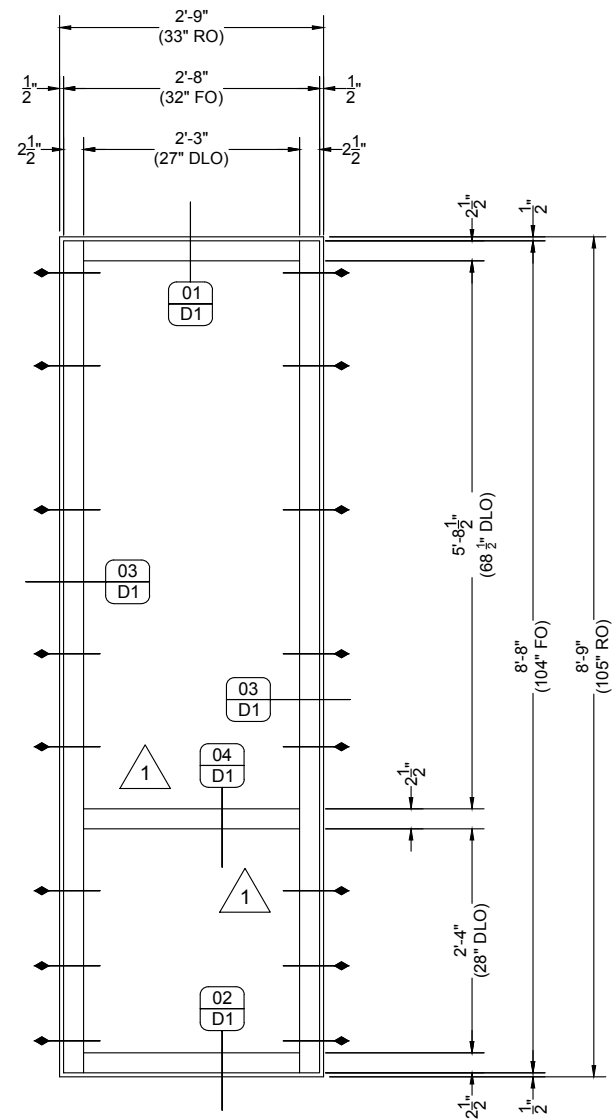
SCALE: NTS
 ARCH REF: A01.701
 QUANTITY: N/A

02

MEZANNINE

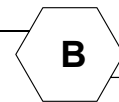
GLASS WALL SYSTEM(S):
 N/A





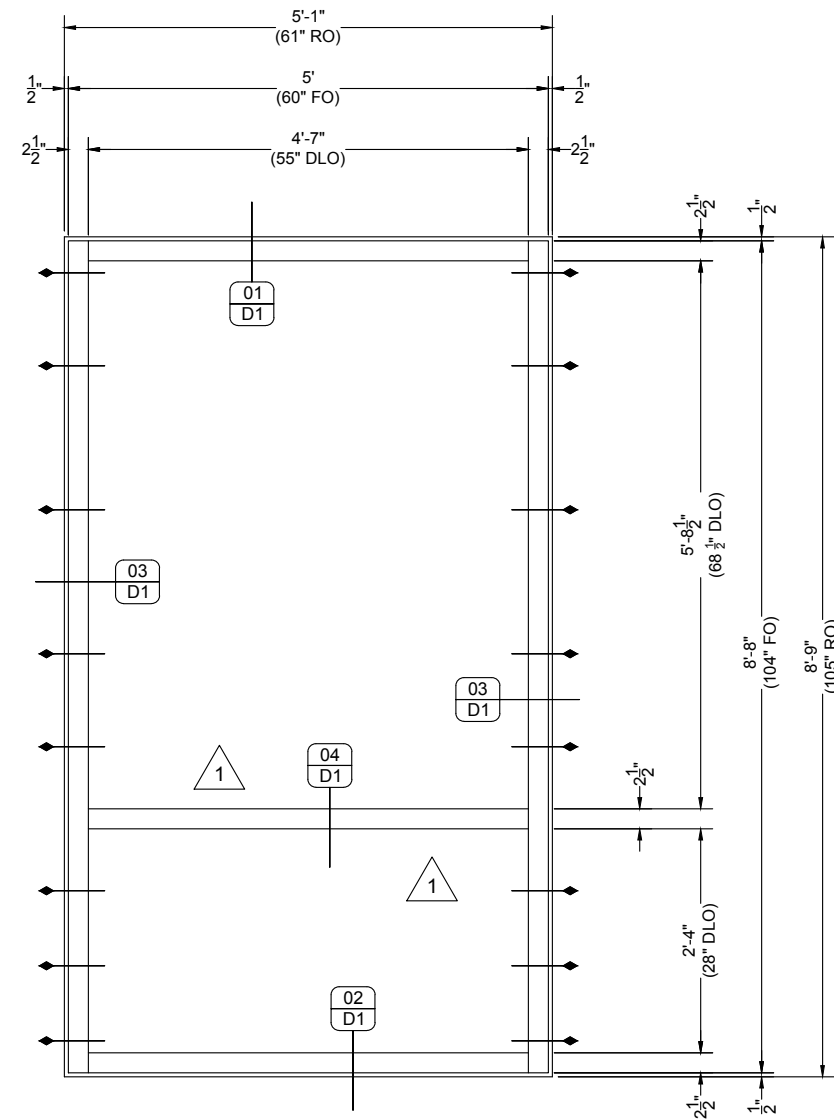
ELEVATION

QUANTITY: 6
 SCALE: 1/2" = 1'-0"
 ARCH REF: WLS/A04.101
 14/A04.100
 15/A04.100.



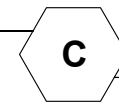
CURTAIN WALL

KAWNEER 1600 IR SYSTEM 1 ALUMINUM CURTAIN WALL



ELEVATION

QUANTITY: 2
 SCALE: 1/2" = 1'-0"
 ARCH REF: WLS/A04.101
 14/A04.100
 15/A04.100



CURTAIN WALL

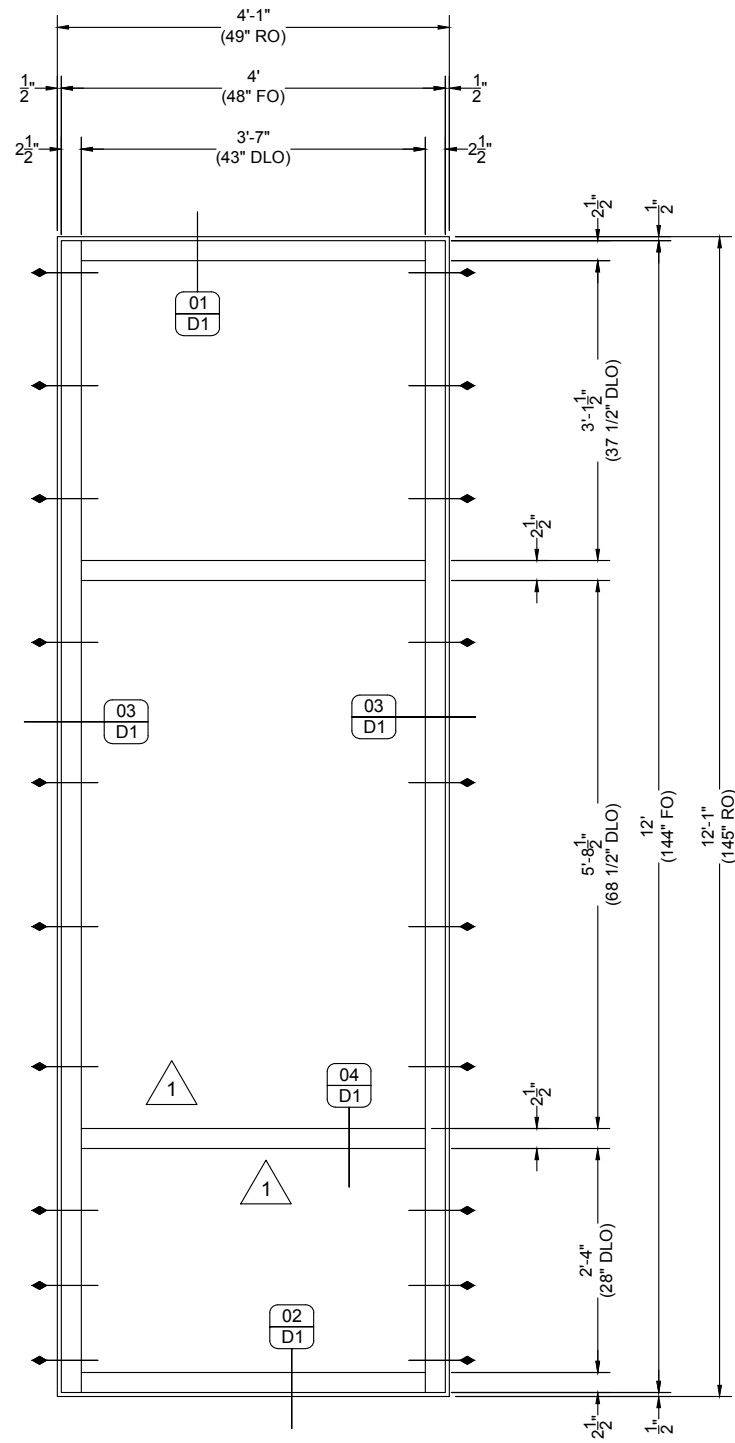
KAWNEER 1600 IR SYSTEM 1 ALUMINUM CURTAIN WALL

| SUB | BY | DATE | DESCRIPTION |
|-----|----|------------|---|
| 2 | fp | 03/11/2020 | REVISIONS TO ADD HORIZONTALS & NEW ELEVATION FOR CHILLER ROOM WINDOWS |
| 1 | fp | 11/18/19 | First Submittal |

CONTRACTOR'S GLASS PRODUCTS
 7701 WEBER RD, CORPUS CHRISTI, TX 78315
 WORK (361) 854-8188 FAX (361) 854-4412

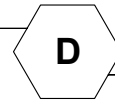
PROJECT: DEL MAR COLLEGE SOUTH, CENTRAL PLANT
NEW BUILDING
 ARCHITECT: GENSLER
 (713) 844-0000
 PROJECT: FUJITON CONSTRUCTION CORP.
 (361) 663-5200

| | |
|----------------------------|--------------------|
| PROJECT NO. CGP-1911-02 | |
| DRAWN BY fp | DATE 03/11/2020 |
| SCALE 1/2" = 1'-0" | |
| DRAWING ELEVATIONS | |
| SHEET E1 | |



ELEVATION

QUANTITY: 4
 SCALE: 1/2" = 1'-0"
 ARCH REF: RFI 19/REVISED



CURTAIN WALL

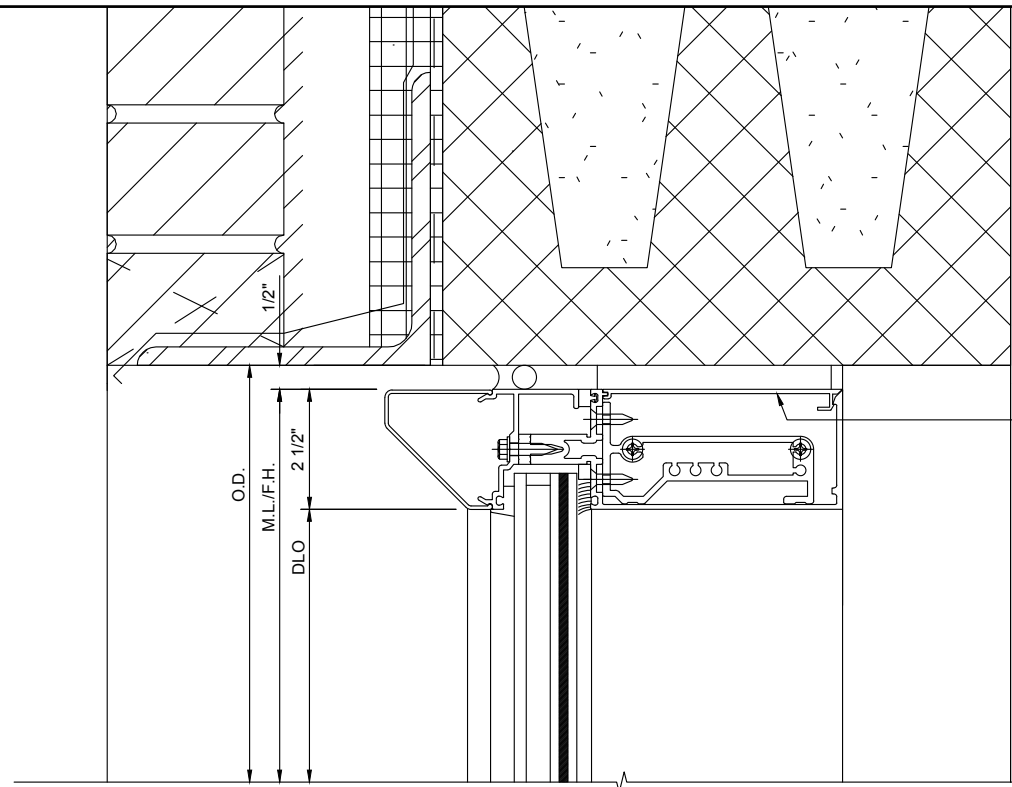
KAWNEER 1600 IR SYSTEM 1 ALUMINUM CURTAIN WALL

| SUB | BY | DATE | DESCRIPTION |
|-----|----|------------|---|
| 2 | fp | 03/11/2020 | REVISIONS TO ADD HORIZONTALS & NEW ELEVATION FOR CHILLER ROOM WINDOWS |
| 1 | fp | 11/18/19 | First Submittal |

CONTRACTOR'S GLASS PRODUCTS
 7701 WEBER RD, CORPUS CHRISTI, TX 78315
 WORK (361) 854-8188 FAX (361) 854-4412

PROJECT: DEL MAR COLLEGE SOUTH, CENTRAL PLANT
NEW BUILDING
 ARCHITECT: GENSLER (713) 844-0000
 PROJECT: FUJITON CONSTRUCTION CORP. (361) 663-5200

| | |
|-------------------------|------------------|
| PROJECT NO. CGP-1911-02 | |
| DRAWN BY: fp | DATE: 03/11/2020 |
| SCALE: 1/2" = 1'-0" | |
| DRAWING: ELEVATIONS | |
| SHEET: E2 | |



USE FILLER 162020
WHEN REQUIRED.

162311 "F ANCHOR"
162095 HEAD/SILL HORIZONTAL
162528 PRESSURE PLATE
162006 COVER
162332 SHEAR BLOCK
STRUCTURAL SILICONE SEALANT (BY OTHERS)*

HEAD
LARGE MISSILE IMPACT
(1 5/16" Infill)

DETAIL

01

HEAD [14/A08.100]

GLASS WALL SYSTEM TYPE:
KAWNEER 1600 IR SYSTEM 1 CURTAIN WALL

SCALE: 3" = 1'-0"
ARCH REF: 15/A02.201
19/A05.200
14/A08.100



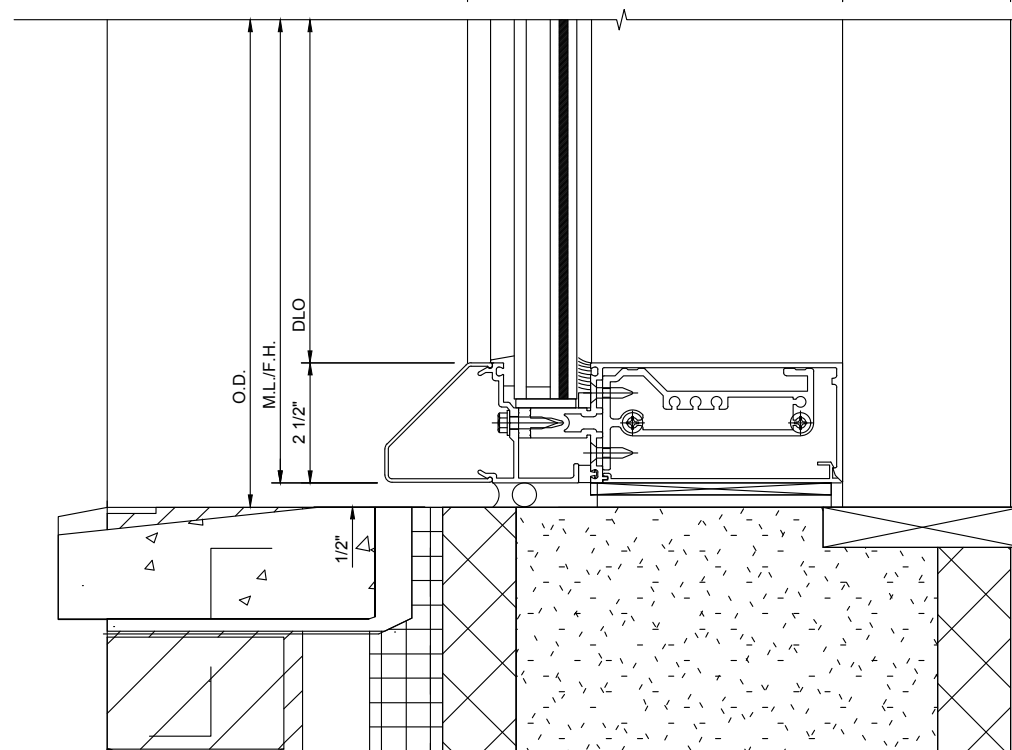
DETAIL

02

SILL [16/A08.100]

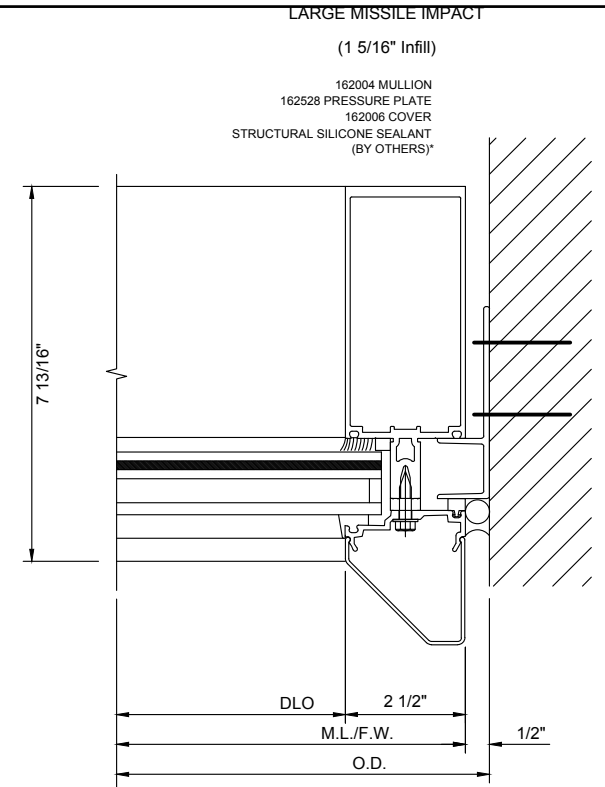
GLASS WALL SYSTEM TYPE:
KAWNEER 1600 IR SYSTEM 1 CURTAIN WALL

SCALE: 3" = 1'-0"
ARCH REF: 15/A02.201
19/A05.200
15/A08.100



SILL
LARGE MISSILE IMPACT
(1 5/16" Infill)

162311 "F ANCHOR"
162095 HEAD/SILL HORIZONTAL
162528 PRESSURE PLATE
162006 COVER
162332 SHEAR BLOCK
162317 SHIM FILLER
STRUCTURAL SILICONE SEALANT (BY OTHERS)*



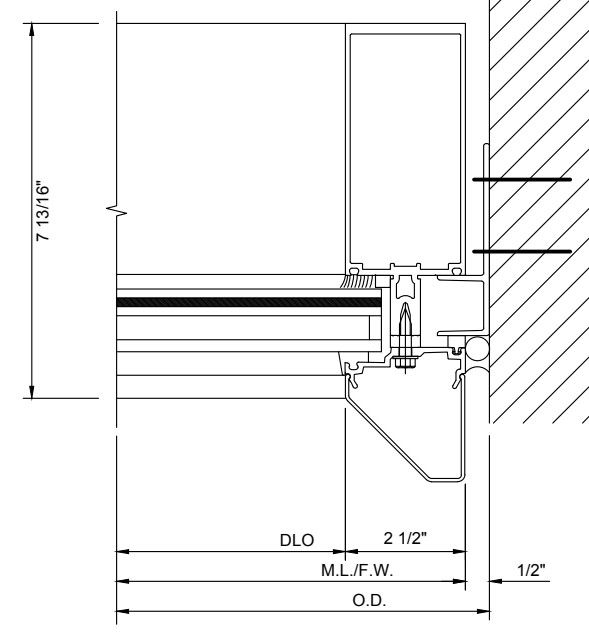
DETAIL

03

JAMB

GLASS WALL SYSTEM TYPE:
KAWNEER 1600 IR SYSTEM 1 CURTAIN WALL

SCALE: 3" = 1'-0"
ARCH REF: N/A



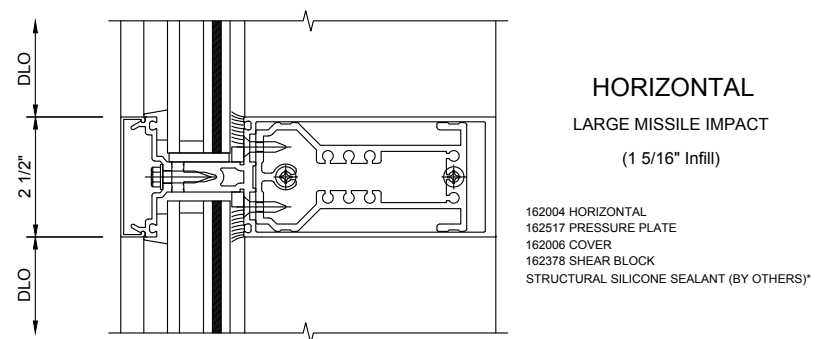
DETAIL

04

HORIZONTAL

GLASS WALL SYSTEM TYPE:
KAWNEER 1600 IR SYSTEM 1 CURTAIN WALL

SCALE: 3" = 1'-0"
ARCH REF: N/A



HORIZONTAL
LARGE MISSILE IMPACT
(1 5/16" Infill)

162004 HORIZONTAL
162517 PRESSURE PLATE
162006 COVER
162378 SHEAR BLOCK
STRUCTURAL SILICONE SEALANT (BY OTHERS)*

| NO. | DATE | BY | DESCRIPTION |
|-----|------------|----|---|
| 2 | 03/11/2020 | fp | REVISIONS TO ADD HORIZONTALS & NEW ELEVATION FOR CHILLER ROOM WINDOWS |
| 1 | 11/18/19 | fp | First Submittal |

CONTRACTOR'S GLASS PRODUCTS
7701 WEBER RD, CORPUS CHRISTI, TX 78415
WORK (361) 854-8188 FAX (361) 854-4412

PROJECT: DEL MAR COLLEGE SOUTH, CENTRAL PLANT
NEW BUILDING
ARCHITECT: GENSLER (713) 844-0000
PROJECT: FUJITON CONSTRUCTION CORP. (361) 993-5200

| | |
|-------------|-------------|
| PROJECT NO. | CGP-1911-02 |
| DRAWN BY | fp |
| DATE | 03/11/2020 |
| SCALE | 3" = 1'-0" |
| DRAWING | DETAILS |
| SHEET | D1 |